

# Small Enclosures



Pyrotech is pleased to launch a full range of IP55 / IP65 small enclosures and accessories for indoor as well as outdoor applicable. Small enclosures are suitable for industrial applications in all sectors, factory automation, machine control panel, electrical, CCTV, telecom and many other projects.

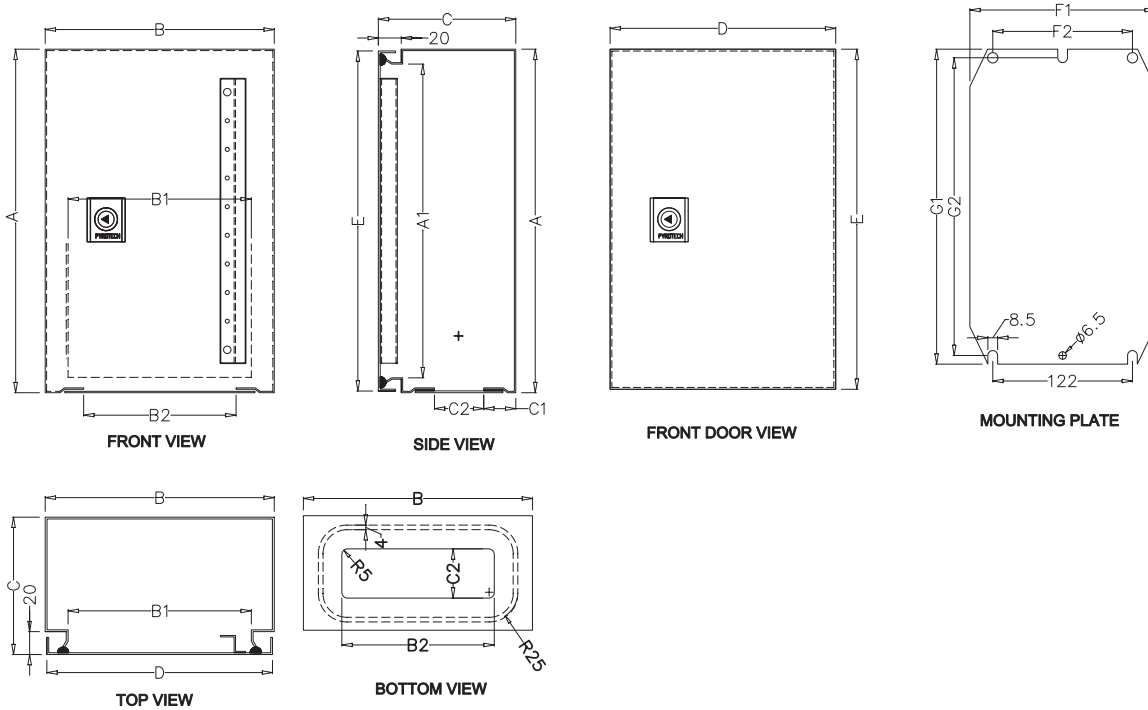
## Technical Specification

- Junction box will be made of 1.6mm th. CRCA MS sheet. In Welded Construction.
- Front door will be made of 1.6mm th. CRCA MS sheet.
- Mounting plate will be made of 2.0mm th. GI / ALU. Zinc sheet.
- Bottom cable gland plate will be made of 2.0mm th. CRCA MS sheet.
- Finish : - Chemical treatment shall be done with NANO Technology process from Henkel ( Germany ) ,  
Followed by Hybrid Epoxy Polyester powder coating.  
Shade Internal & External :- RAL 7035.
- Self gripping PU foam gasket will be provided in door seal.
- Protection class : IP65 ( without cutouts )
- Single point cam locks provided.

## Width up to 200 mm

**A**

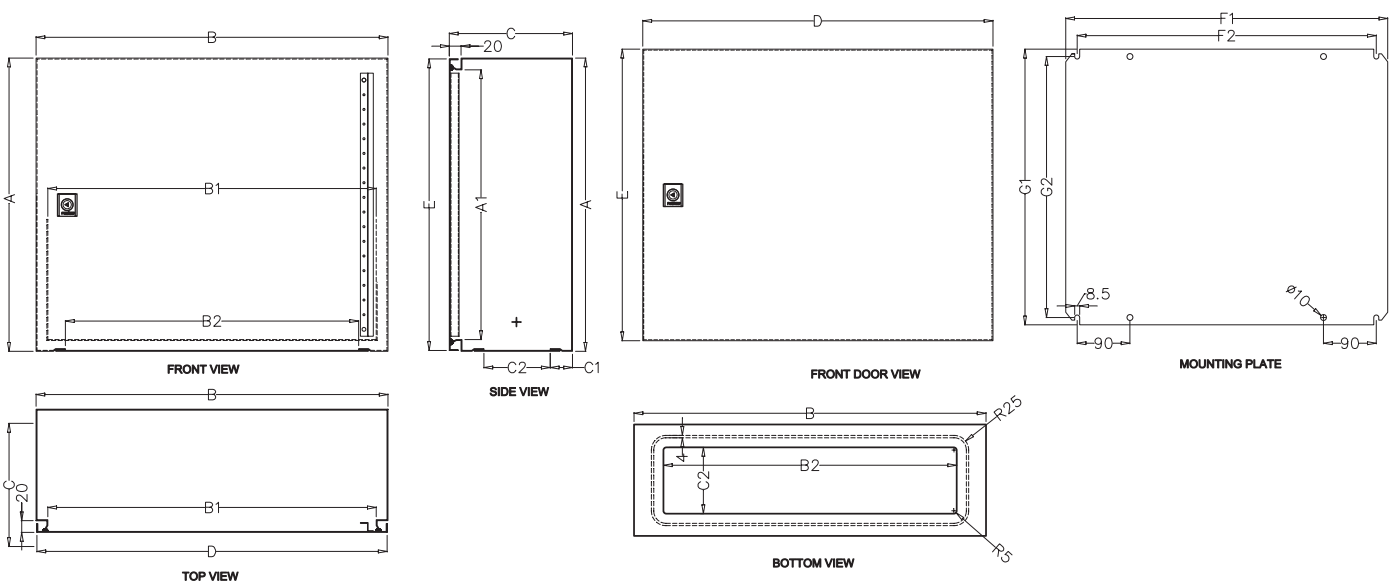
S.No.	PRODUCT PART NO.	SIZE OF BOX	MOUNTING PLATE SIZE	A	A1	B	B1	B2	C	C1	C2	D	E	F1	F2	G1	G2
1	080MS01	300X200X120	162X275	300	260	200	160	133	120	28	43	197	297	162	122	275	260
2	080MS02	300X200X155	162X275	300	260	200	160	133	155	28	43	197	297	162	122	275	260



## Width up to 600 mm

**B**

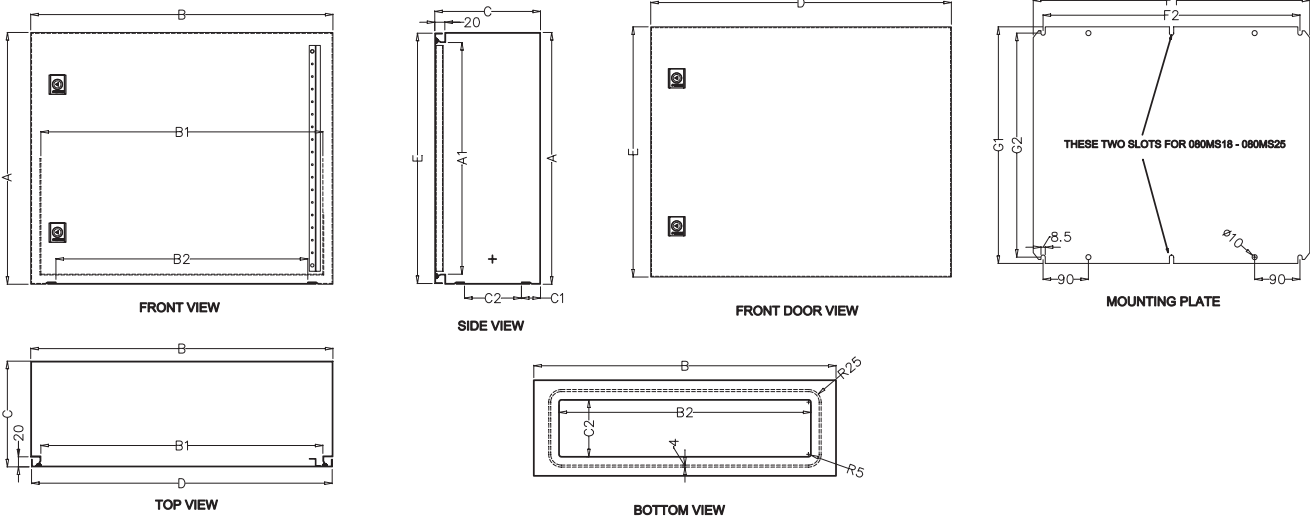
S.No.	PRODUCT PART NO.	SIZE OF BOX	MOUNTING PLATE SIZE	A	A1	B	B1	B2	C	C1	C2	D	E	F1	F2	G1	G2
3	080MS03	300X300X210	254X275	300	260	300	260	233	210	33	45	297	297	254	215	275	250
4	080MS04	300X380X155	334X275	300	260	380	340	303	155	33	43	377	297	334	295	275	250
5	080MS05	300X380X210	334X275	300	260	380	340	303	210	33	63	377	297	334	295	275	250
6	080MS06	380X380X210	334X355	380	340	380	340	303	210	33	63	377	377	334	295	355	330
7	080MS07	380X300X210	254X355	380	340	300	260	233	210	33	45	297	377	254	215	355	330
8	080MS08	380X600X210	549X355	380	340	600	560	500	210	38	113	597	377	549	510	355	330
9	080MS09	380X600X350	549X355	380	340	600	560	500	350	38	113	597	377	549	510	355	330
10	080MS10	400X300X210	254X375	400	360	300	260	233	210	33	45	297	397	254	215	375	350



## Width up to 800 mm

**C**

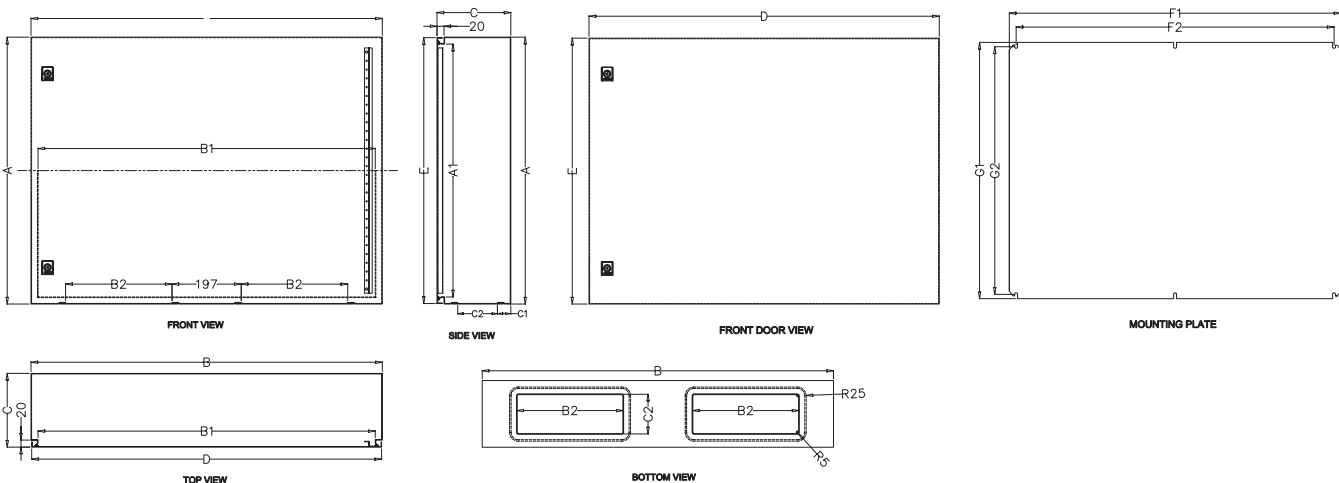
S.No.	PRODUCT PART NO.	SIZE OF BOX	MOUNTING PLATE SIZE	A	A1	B	B1	B2	C	C1	C2	D	E	F1	F2	G1	G2
11	080MS11	500X400X210	354X475	500	460	400	360	303	210	38	113	397	497	354	315	475	450
12	080MS12	500X500X210	449X470	500	460	500	460	303	210	38	113	497	497	449	410	470	445
13	080MS13	500X500X300	449X470	500	460	500	460	303	300	38	113	497	497	449	410	470	445
14	080MS14	600X380X210	334X570	600	560	380	340	303	210	33	63	377	597	334	295	570	545
15	080MS15	600X380X350	334X570	600	560	380	340	303	350	84	113	377	597	334	295	570	545
16	080MS16	600X600X210	549X570	600	560	600	560	500	210	38	113	597	597	549	510	570	545
17	080MS17	600X600X350	549X570	600	560	600	560	500	350	38	113	597	597	549	510	570	545
18	080MS18	760X600X210	549X730	760	720	600	560	500	210	38	113	597	757	549	510	730	705
19	080MS19	760X600X350	254X375	760	720	600	560	500	350	38	113	597	757	549	510	730	705
20	080MS20	760X760X210	704X730	760	720	760	720	500	210	38	113	757	757	704	665	730	705
21	080MS21	760X760X300	704X730	760	720	760	720	500	300	38	113	757	757	704	665	730	705
22	080MS22	1000X800X300	739X955	1000	960	800	760	500	300	70	113	797	997	739	700	955	930



**D**

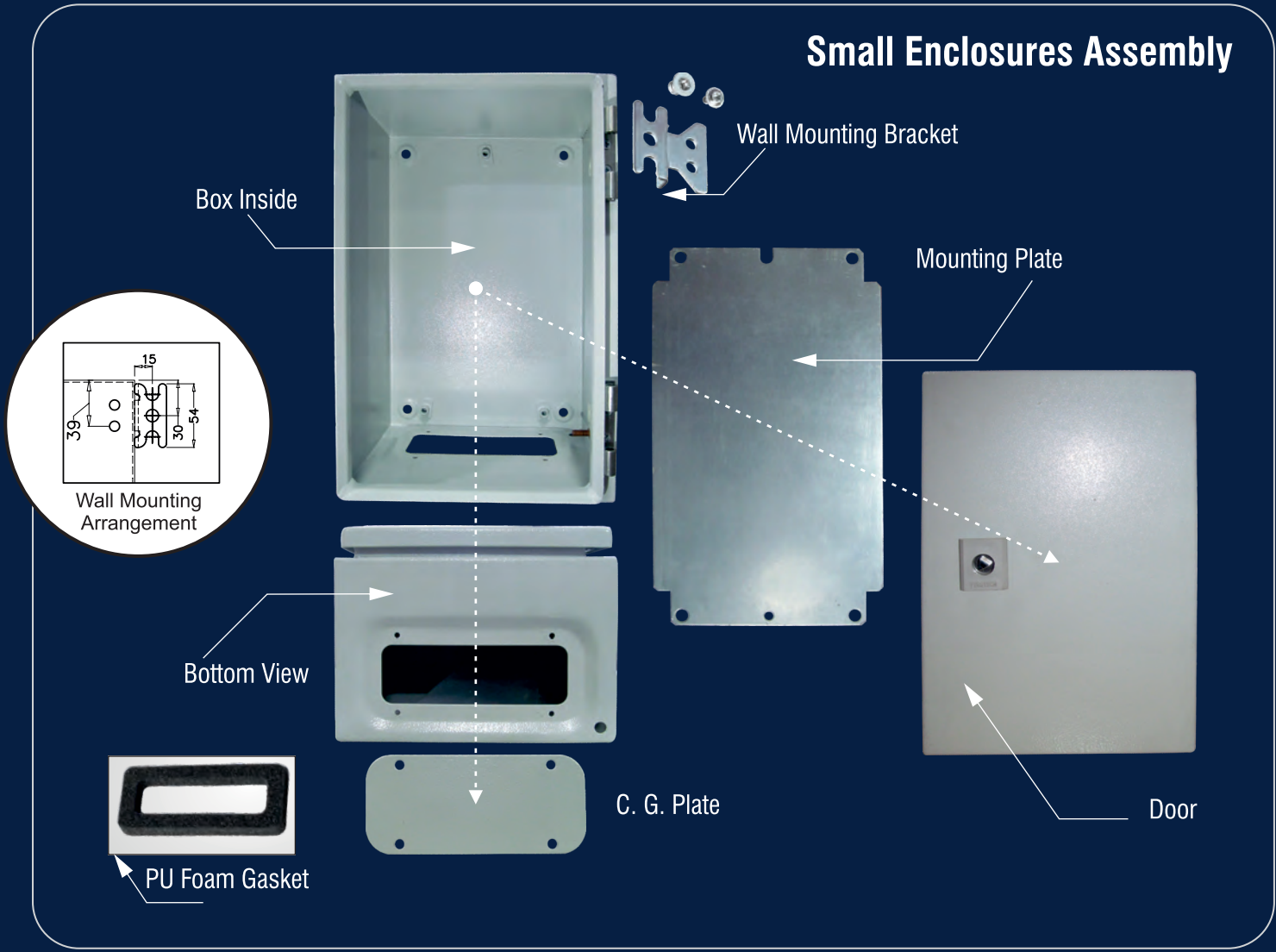
## Width up to 1000 mm

S.No.	PRODUCT PART NO.	SIZE OF BOX	MOUNTING PLATE SIZE	A	A1	B	B1	B2	C	C1	C2	D	E	F1	F2	G1	G2
23	080MS23	760X1000X210	944X730	760	720	1000	960	303	210	38	113	997	757	944	905	730	705
24	080MS24	760X1000X300	944X730	760	720	1000	960	303	300	38	113	997	757	944	905	730	705
25	080MS25	1000X800X300	739X955	1000	960	800	760	203	300	70	113	797	997	739	700	955	930



Note : 1. In B, C, D Type Glass Door can be given. 2. Special sizes are available on request.

## Small Enclosures Assembly



### HEAD OFFICE AND FACTORY:



An ISO 9001, EMS 14001, OHSAS 18001 Comp

### PYROTECH ELECTRONICS PVT. LTD. UNIT-II

E-329, Road No.12, Mewar Industrial Area, Udaipur-313003, Rajasthan, India  
 Ph: +91-294-2492122/31/34, Mobile : +91-93525 00364, Fax: +91-294-2492130  
 E-mail: pyrotech@pyrotechindia.com, marketing@pyrotechindia.com

#### BANGALORE OFFICE:

Pyrotech Electronics Pvt. Ltd. (Southern Regional Office)  
 No. 22, 13th Main,  
 NHCS Layout Vijaynagar, Bangalore - 560 040  
 Ph.: +91-80-23509680, Fax: +91-80-23509680  
 E-mail: bangalore@pyrotechindia.com

#### NOIDA OFFICE:

C-140, Sector 63,  
 Noida-201301 (Uttar Pradesh)  
 Mobile : +91-88004 88792  
 E-mail: pmppl@pyrotechindia.com  
 electricals@pyrotechindia.com

#### AUTHORIZED CHANNEL PARTNER :

#### OTHER OFFICES:

Ahmedabad 093761 26045	Hyderabad 093913 57063	Mumbai 093226 76597
Bangalore 093428 16887	Kolkata 093391 99881	Chennai 093641 87225
Bhopal 094250 16016		

Pyrotech Electronics Pvt. Ltd. was established in 1976 at Udaipur, Rajasthan having more than 38 years experience in Turnkey control room interiors, Mosaic Panels & Desks, Control Panels & Desks, other Industrial Panels, Junction Boxes & Racks and more than 10 years experience of Supply, Installation & Commissioning in video wall market. We have our reach to the Power, Energy G/D/T, Oil & Gas, Metal, Transport, Defense & Cement industries etc.