

Our Product Range

- | | | | |
|---|---|--|---|
| <ul style="list-style-type: none"> • Shelter • Mosaic Desk • Console Desk • Bare Panel IP-65 • PLC Panel • Mosaic Minic Panel • Local Control Station • FRP Box | <ul style="list-style-type: none"> • LIE - LIR • Power Distribution Box • Purge & Ex-proof • Acrylic Mimic • NG / LAVT Cubicle • Generator Control Panel • MCC / PCC • CT Box | <ul style="list-style-type: none"> • Synchronization Panel • HT Panel • Large Video Screen • Networking Panel • Bare Panel IP-55 • Junction Box • Control & Relay Panels • Alcoxy Control Desk | <ul style="list-style-type: none"> • Metering Panel • Metering Box • Marshalling Panels • EMI/RFI Compliant Panel • Universal Test Bench • Push Button Station • 19" Racks • Control Room Interiors |
|---|---|--|---|



PYROTECH ELECTRONICS PVT. LTD. - UNIT II



SOLAR PLANT



PYROTECH ELECTRONICS PVT. LTD. - UNIT IV

Pyrotech Electronics Pvt. Ltd was established in 1976 at Udaipur, Rajasthan having more than 35 years experience in Turnkey control room interiors, Mosaic Panels & Desks, Control Panels & Desks, other Industrial Panels, Junction Boxes & Racks and more than 10 years experience of Supply, Installation & Commissioning in video wall market. We have our reach to the Power, Energy G/D/T, Oil & Gas, Metal, Transport, Defense & Cement industries etc..



An ISO 9001, EMS 14001, OHSAS 18001 Company

PYROTECH ELECTRONICS PVT. LTD. - UNIT III

E-329, Road No. 12,
Mewar Industrial Area, Udaipur - 313 003,
Ph: +91-294-2492122/31/34, Fax: 2492130,
E-mail: pyrotech@pyrotechindia.com,
marketing@pyrotechindia.com

C-140, Sector 63,
Noida-201301 (Uttar Pradesh),
Mobile : +91-88004 88792,
E-mail : pmpppl@pyrotechindia.com,
electricals@pyrotechindia.com

Regional Marketing Offices :-
• Ahmedabad • Bhopal • Kolkata
• Baroda • Delhi • Mumbai
• Bangalore • Hyderabad • Chennai

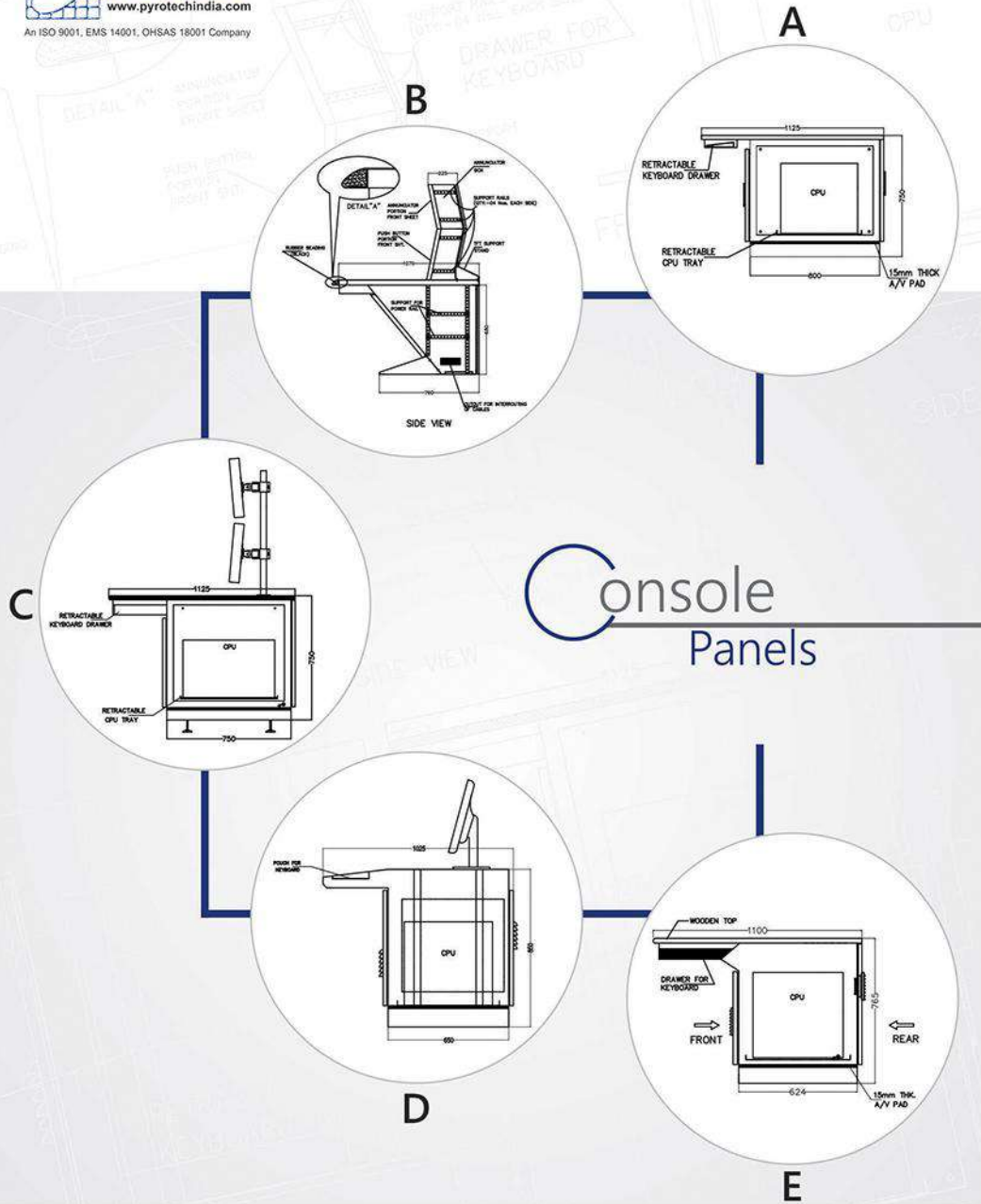
Compass : 99820 77733



An ISO 9001, EMS 14001, OHSAS 18001 Company

Console Panels

- Model No A
- Model No B
- Model No C
- Model No D
- Model No E



Console Panels

General Specification

- The Control room consoles of PYROTECH BRAND consisting of individual modular units of Fabricated / angled section, each designed to be assembled into a complete consoles structure.
- The consoles are fully modular in design and construction.

Modular :

Design with standardized unit or dimension as for easy assembly & repair or flexible arrangement.

- The consoles system ship in individual fully assembled units to be leveled in position & bolted together at the site.
- The consoles are ergonomically designed for operator comforts & suitable for housing mounting personnel computers, 21" CRT's, 19" racks mounted equipments, video monitors, distributor control systems & other items required in a control room environment.
- The console system have the ability to house panel mounted components such as panel meters, push buttons, pilot lights & other components required by the system.
- Console system has the option of being one or two tiers high.

Construction Features

- The consoles modules are fully assembled and fabricated from steel to the published quality standards.
- The base frame is constructed out of multifold 3mm steel suitable for a test static load of 500 kgs.
- Various means are employed to mount equipment, including ball bearing pullout CPU trays, Solid floor panels with cable entries, movable equipment shelves, rails for DIN mounting equipments.
- The work surfaces on the consoles units are joined with self aligning draw bolt assembled to ensure smooth seams between units.
- End corners shall be constructed of 1.6mm sheet steel, these panels features smoothly dressed welded, be-leveled corners to enhance appearance.

Console Modules

The base module consisting a desk structure for supporting the work surface & upper tier module. The standard base unit shall consist of front & rear hinged doors. The work surface shall be at 750 mm from the bottom of the console frame to ensure maximum comforts to the operator.

Following options are provided in the consoles.

- Pull out equipment trays using full extension & 50kgs rated.
- 19 " rack mount rails upto 14 U Height.
- Sub channels for mounting of electrical components on the front, rear or either sides.
- Rails/slide for CPU to take out with high efforts.
- Adjustable shelves.

1. Monitor tiers are constructed heavy duty pipes have swivel head . The monitor angle can be adjusted up/down , left/right & monitor vertical height can be adjusted as desired.

2. Work surface can be of powder coated sheet steel/ MDF/ stainless steel 304/316 buff finish / ASS top.

Finish

- All Metals are throughly pretreated & powder coated to desired shade/ color.
- The console top shall be powder coated steel/SS buff finish / or MDF wood is laminated Acrylic Solid Surface (ASS) to desired color shade.

Assembled & Shipments

- Each unit in the consoles system shall be shipped fully assembled. The individual units will be located within the control room / operation area, leveled & bolted together.
- Console units shall be edge protected & strapped to individual pallets to assist handling.

Electrical

- Power distribution for CONSOLE equipped with 15/5 Amp Surge Protector, 3 Pin Socket, MCB, Terminals,
- RJ-11, RJ-45, Earthing Kit, Cooling Fan & Door Switch with internal illumination.

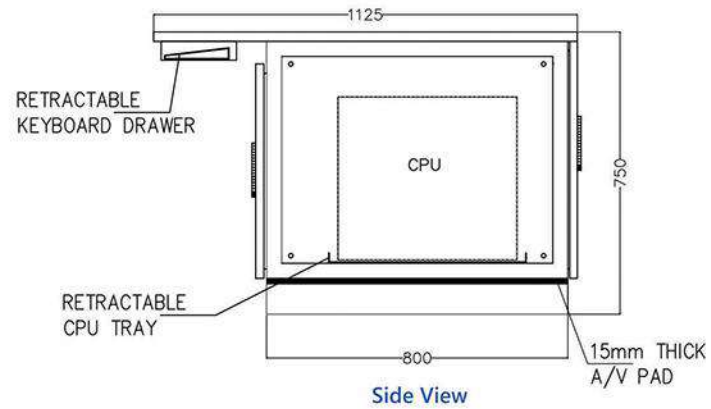
Salient Features

- Control Desk will be made of Folded / Welded Construction System.
- All sheets will be made of 1.6 / 2mm thk. CRCA/SS sheet.
- Front & rear door will be made of 1.6 / 2mm thk. CRCA sheet.
- Cable Gland Plate & Base Frame will be made of 3mm thk. CRCA sheet.
- Mounting Plate will be made of 2/3mm thk. CRCA MS/GI sheet.
- Powder Coating in RAL 7032, RAL 7035.
- Pu Foam gasket will be provided (Make - Sonderhoff).

Variants

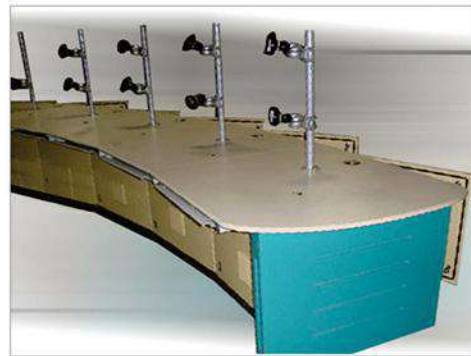
- 2mm Thk. SS 304 " Top" can be provided.
- 2mm Thk. CRCA "top" can be provided .
- 25mm Thk. wooden "top" can be provided.
- Flexible Monitor Arm.
- Flexible Telephone Arm.
- Concealed Cable Raceways
- Led Task Light (optional).
- Optional Height Adjustable Work Surface.
- TFT pop up mechanism.
- 30 mm thk, ASS top with ergonomic front edge.
- Extreme ends with aesthetic elements.

A

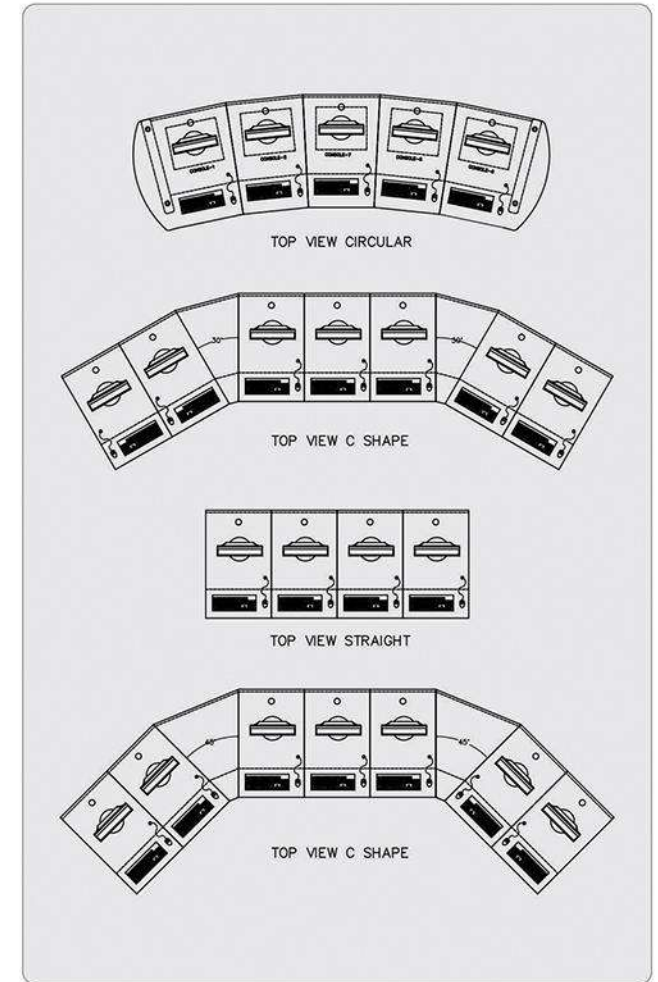


Standard Dimensions

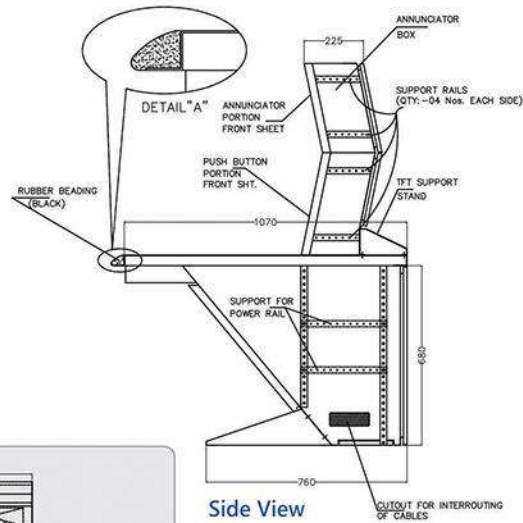
Size in mm			Dummy
Height	Width	Depth	30 & 45 Degree
750	700	800	



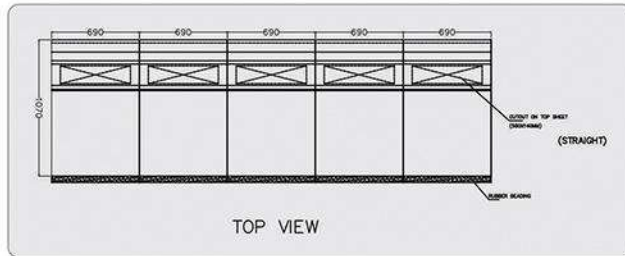
Internal Views



B

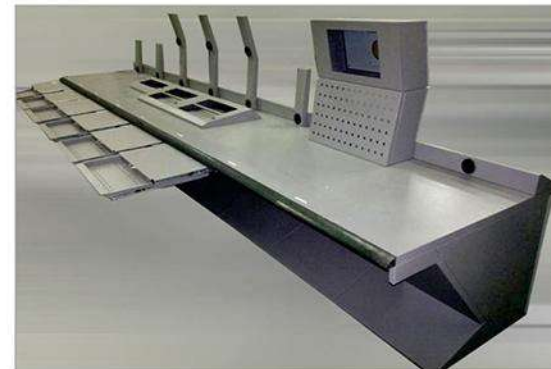


Side View



TOP VIEW

Other Variants

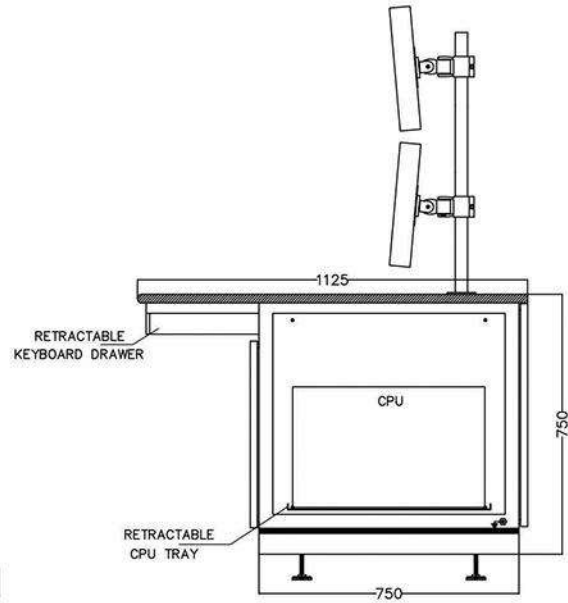


Internal Views



Standard Dimensions

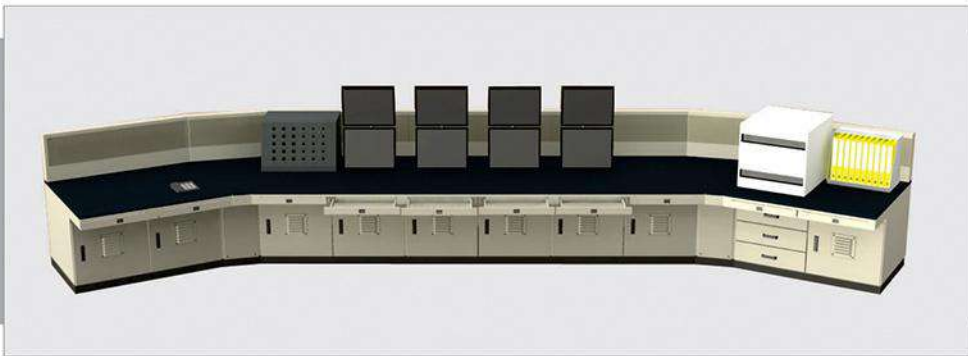
Size in mm		
Height	Width	Depth
680	690	760



Side View

Standard Dimensions

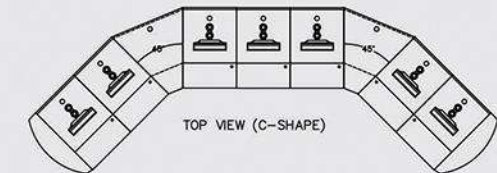
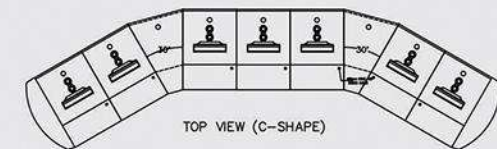
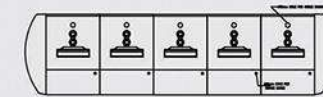
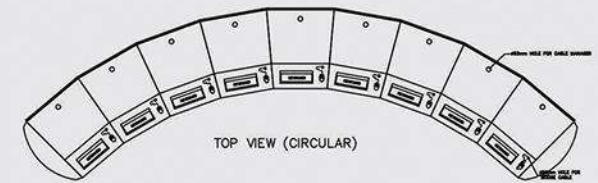
Size in mm			Dummy
Height	Width	Depth	30 & 45
750	750	750	Degree

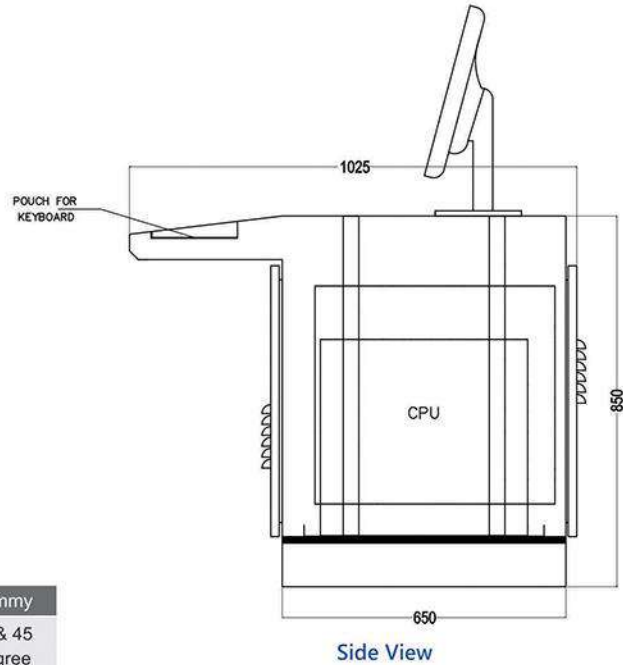


Other Variants



Internal Views





Standard Dimensions

Size in mm			Dummy
Height	Width	Depth	30 & 45 Degree
850	800	650	

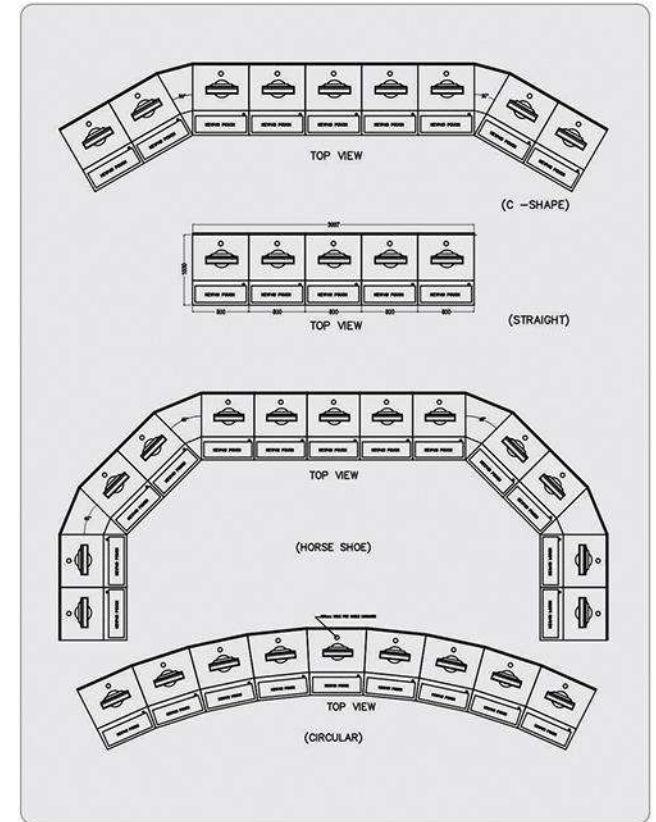
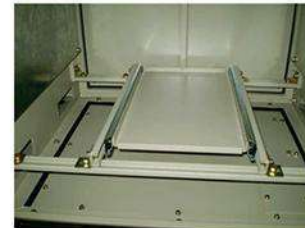
Side View



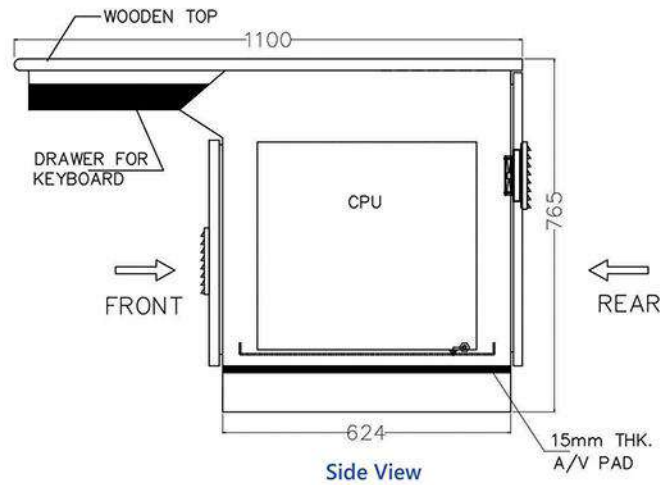
Other Variants



Internal Views



E



Standard Dimensions

Size in mm			Dummy
Height	Width	Depth	30 & 45
765	650	624	Degree



Other Variant

