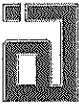


NOTE: ALL DIMENSIONS ARE IN mm
OVERALL TOLERANCE ± 2mm

PATH: DATADNE/CAD/ANSERVER/
FILE NAME: STANDARD JB

THIS DRAWING AND DESIGN IS THE PROPERTY OF PYROTECH
ELECTRONICS PVT.LTD. UNIT#2, UDAIPUR 313 003 AND MUST NOT
BE COPIED OR LENT WITHOUT THEIR PERMISSION IN WRITING



ID:ND01 5 002770 51619(PEPL#2)-GA

TECHNICAL SPECIFICATION

1. JUNCTION BOX WILL BE MADE OF 1.6mm Th. CRCA MS SHEET. IN WELDED CONSTRUCTION.
2. FRONT DOOR WILL BE MADE OF 1.6mm Th. CRCA MS SHEET.
3. MOUNTING PLATE WILL BE MADE OF 2mm Th. GI/1.9mm Th. ALU.ZINC SHEET.
4. BOTTOM CABLE GLAND PLATE WILL BE MADE OF 2.0mm Th. CRCA MS SHEET.
5. FINISH: – CHEMICAL TREATMENT SHALL BE DONE WITH NANO TECHNOLOGY PROCESS FROM HENKEL (GERMENY), FOLLOWED BY HYBRID EPOXY POLYESTER POWDER COATING, SEMI GLOSSY, STRUCTURE, MIN. 60 MICRONS DFT.
SHADE INTERNAL & EXTERNAL : – RAL7035
6. SELF GRIPPING PU FOAM GASKET WILL BE PROVIDED IN DOOR SEAL.
7. PROTECTION CLASS : IP65 (WITHOUT CUTOUTS).
8. SINGLE POINT CAM LOCKS PROVIDED.
9. CANOPY WILL BE MADE OF 1.6MM CRCA SHEET .

CONSULTANT:-				PROJECT No.: PEPL STANDARD JUNCTION BOXES				END USER:-					
REV	DRN.BY:	CHD.BY:	DATE:	APP.BY:	REMARKS	DRN.BY:	AVADHESH	PO No:xxx	PROJECTION	PYROTECH ELECTRONICS PVT.LTD. UNIT#2, UDAIPUR 313003		DRAWING No.	
						CHD.BY:		PROJ: Standard JB		TITLE:- TECHNICAL NOTES OF STANDARD MS JUNCTION BOX		00	
						APP.BY:		Scale: Production		PRODUCT PART No.-080MS1 - 080MS25		0002770	
				DATE:	05.08.2016	SCALE:	NTS			CUSTOMER:-		SHEET 01 OF 01	REV.

NOTE: ALL DIMENSIONS ARE IN mm
OVERALL TOLERANCE ± 2mm

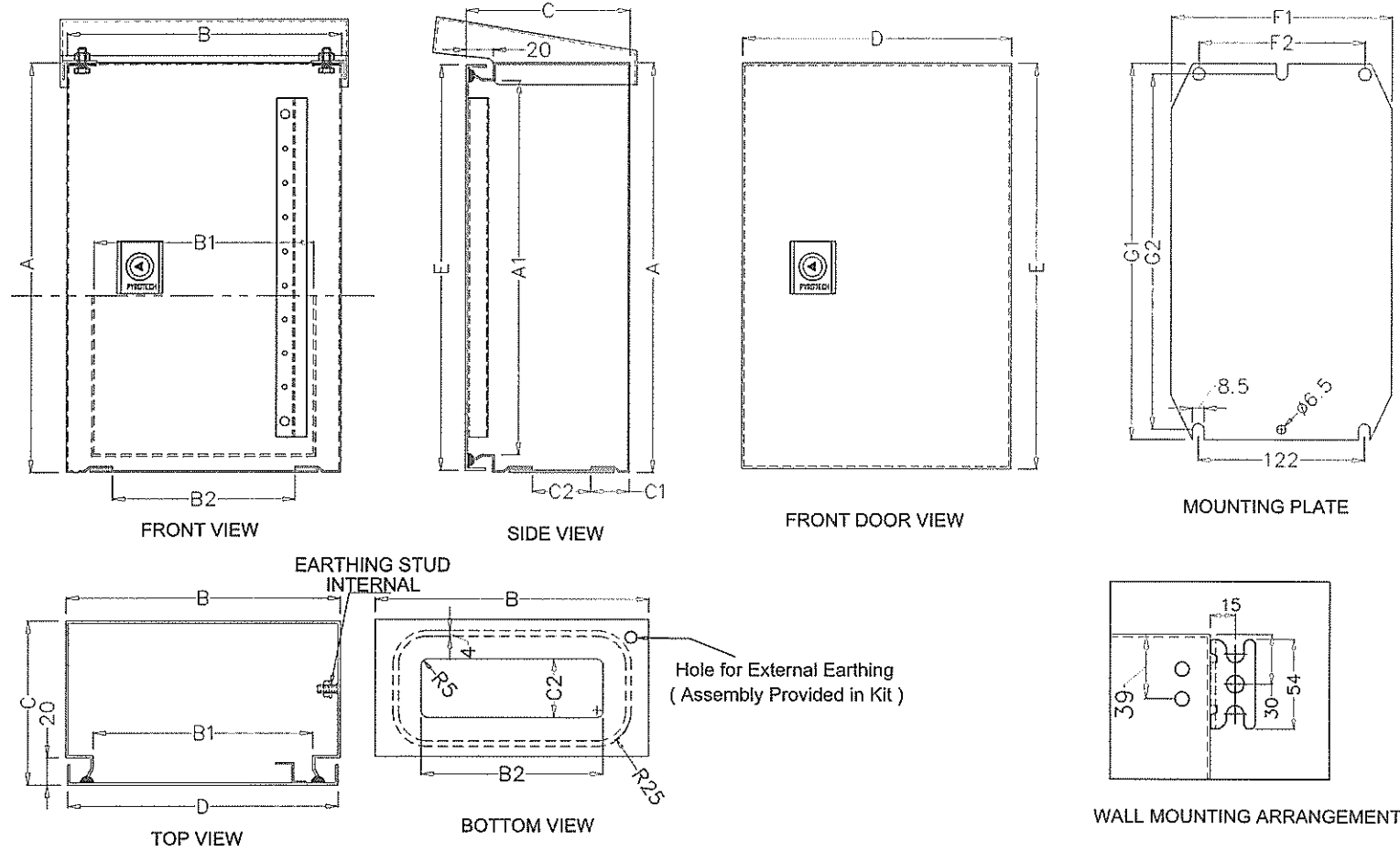
PATH: DATADNE/CAD/ANSERVER/
FILE NAME: STANDARD JB

THIS DRAWING AND DESIGN IS THE PROPERTY OF PYROTECH
ELECTRONICS PVT.LTD. UNIT#2, UDAIPUR 313 003 AND MUST NOT
BE COPIED OR LENT WITHOUT THEIR PERMISSION IN WRITING



ID: NQ.01 S 002770 S1619(PEPL#2)-GA

S.No.	PRODUCT PART NO.	SIZE OF BOX	MOUNTING PLATE SIZE	A	A1	B	B1	B2	C	C1	C2	D	E	F1	F2	G1	G2
1	080MS01	300X200X120	162X275	300	260	200	160	133	120	28	43	197	297	162	122	275	260
2	080MS02	300X200X155	162X275	300	260	200	160	133	155	28	43	197	297	162	122	275	260



CONSULTANT:-					PROJECT No.: PEPL STANDARD JUNCTION BOXES					END USER:-				
REV	DRN.BY:	CHD.BY:	DATE:	APP.BY:	REMARKS	DRN.BY:	AVADHESH	PO XXXXX	PROJECTION:	PYROTECH ELECTRONICS PVT.LTD. UNIT#2, UDAIPUR 313003	DRAWING No.		00	
						CHD.BY:		PROSTANDARD JB		TITLE:- GA. DRAWING OF STANDARD MS JUNCTION BOX		0002770		
						APP.BY:		CURET PRODUCTION		PRODUCT PART No.-080MS01 - 080MS02		REV.		
						DATE:	30.08.2016	SCALE: NTS		CUSTOMER:-		SHEET 01 OF 01		

NOTE: ALL DIMENSIONS ARE IN mm
OVERALL TOLERANCE ± 2mm

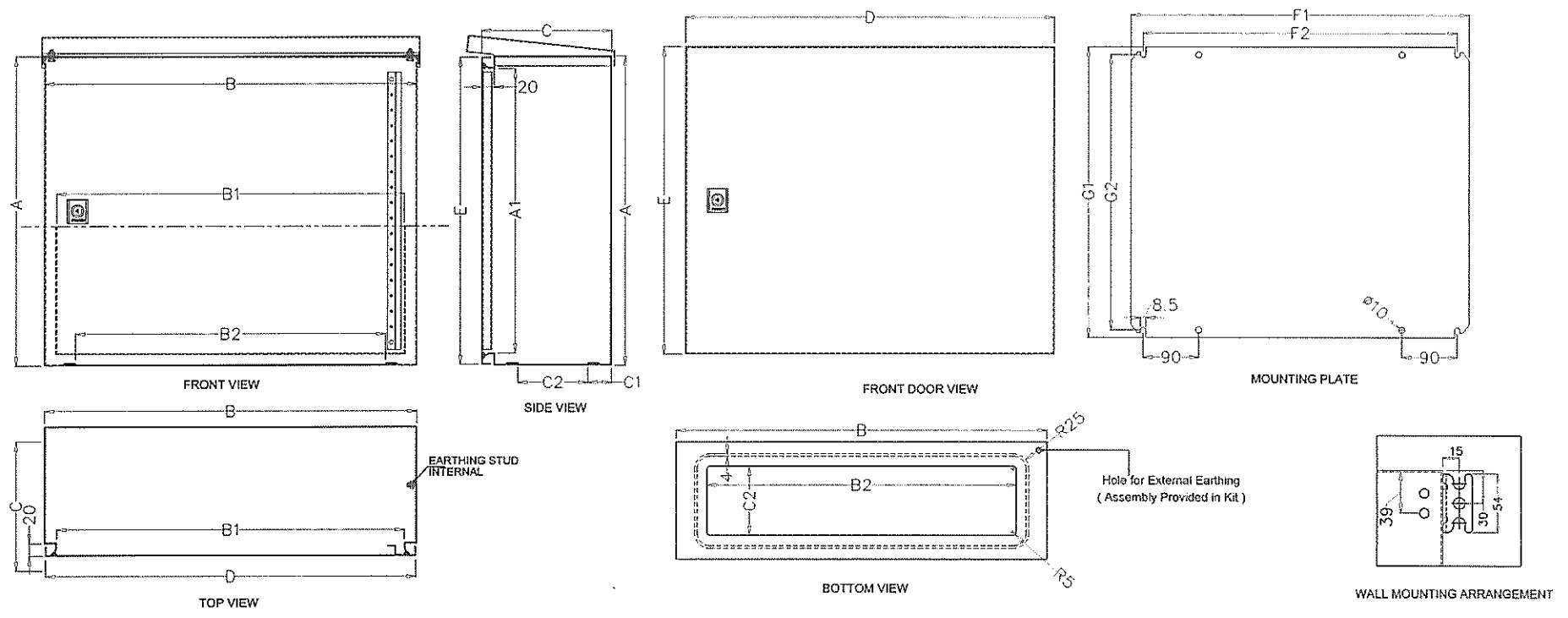
PATH: DATA/NE/CAD/ANSERVER/
FILE NAME: STANDARD JB

THIS DRAWING AND DESIGN IS THE PROPERTY OF PYROTECH ELECTRONICS PVT.LTD. UNIT#2, UDAIPUR 313 003 AND MUST NOT BE COPIED OR LENT WITHOUT THEIR PERMISSION IN WRITING



ID: NQ.01 S 002770 S1619(PEPL#2)-GA

S.No.	PRODUCT PART NO.	SIZE OF BOX	MOUNTING PLATE SIZE	A	A1	B	B1	B2	C	C1	C2	D	E	F1	F2	G1	G2
3	080MS03	300X300X210	254X275	300	260	300	260	233	210	33	45	297	297	254	215	275	250
4	080MS04	300X380X155	334X275	300	260	380	340	303	155	33	43	377	297	334	295	275	250
5	080MS05	300X380X210	334X275	300	260	380	340	303	210	33	63	377	297	334	295	275	250
6	080MS06	380X380X210	334X355	380	340	380	340	303	210	33	63	377	377	334	295	355	330
7	080MS07	380X300X210	254X355	380	340	300	260	233	210	33	45	297	377	254	215	355	330
8	080MS08	380X600X210	549X355	380	340	600	560	500	210	38	113	597	377	549	510	355	330
9	080MS09	380X600X350	549X355	380	340	600	560	500	350	38	113	597	377	549	510	355	330
10	080MS10	400X300X210	254X375	400	360	300	260	233	210	33	45	297	397	254	215	375	350



CONSULTANT:-				PROJECT No.: PEPL STANDARD JUNCTION BOXES				END USER:-					
REV	DRN.BY:	CHD.BY:	DATE:	APP.BY:	REMARKS	DRN.BY:	AVADHESH	PO 100000	PROJECTION	PYROTECH ELECTRONICS PVT.LTD. UNIT#2, UDAIPUR 313003		DRAWING No.	00
						CHD.BY:		PROSTANDARD JB		TITLE:- G.A. DRAWING OF STANDARD MS JUNCTION BOX		0002770	
						APP.BY:		GOET PRODUCTION		PRODUCT PART No.-080MS03 - 080MS10			
						DATE:	30.08.2016	SCALE: NTS		CUSTOMER:-		SHEET 01 OF 01	REV.

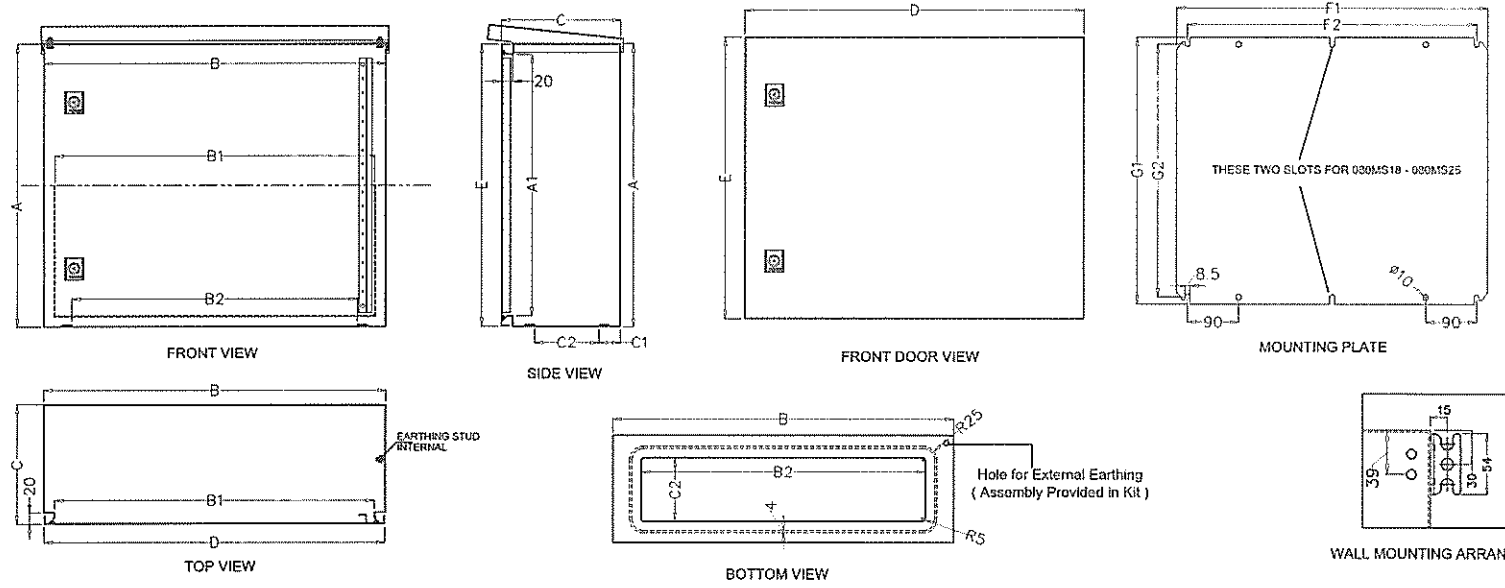
THIS DRAWING AND DESIGN IS THE PROPERTY OF PYROTECH ELECTRONICS PVT.LTD.UNIT#2, UDAIPUR 313 003 AND MUST NOT BE COPIED OR LENT WITHOUT THEIR PERMISSION IN WRITING

PATH: DATADNE/CADIANSERVER/
FILE NAME: STANDARD JB

NOTE: ALL DIMENSIONS ARE IN mm
OVERALL TOLERANCE ± 2mm

ID: NQ.01 S 002770 S1619(PEPL#2)-GA

S.No.	PRODUCT PART NO.	SIZE OF BOX	MOUNTING PLATE SIZE	A	A1	B	B1	B2	C	C1	C2	D	E	F1	F2	G1	G2
11	080MS11	500X400X210	354X475	500	460	400	360	303	210	38	113	397	497	354	315	475	450
12	080MS12	500X500X210	449X470	500	460	500	460	303	210	38	113	497	497	449	410	470	445
13	080MS13	500X500X300	449X470	500	460	500	460	303	300	38	113	497	497	449	410	470	445
14	080MS14	600X380X210	334X570	600	560	380	340	303	210	33	63	377	597	334	295	570	545
15	080MS15	600X380X350	334X570	600	560	380	340	303	350	84	113	377	597	334	295	570	545
16	080MS16	600X600X210	549X570	600	560	600	560	500	210	38	113	597	597	549	510	570	545
17	080MS17	600X600X350	549X570	600	560	600	560	500	350	38	113	597	597	549	510	570	545
18	080MS18	760X600X210	549X730	760	720	600	560	500	210	38	113	597	757	549	510	730	705
19	080MS19	760X600X350	254X375	760	720	600	560	500	350	38	113	597	757	549	510	730	705
20	080MS20	760X760X210	704X730	760	720	760	720	500	210	38	113	757	757	704	665	730	705
21	080MS21	760X760X300	704X730	760	720	760	720	500	300	38	113	757	757	704	665	730	705
22	080MS22	1000X800X300	739X955	1000	960	800	760	500	300	70	113	797	997	739	700	955	930



CONSULTANT:-				PROJECT No. PEPL STANDARD JUNCTION BOXES				END USER:-					
REV	DRN. BY:	CHD. BY:	DATE:	APP. BY:	REMARKS	DRN. BY:	AVADHESH	PO XXXXX	PROJECTION	PYROTECH ELECTRONICS PVT.LTD. UNIT#2, UDAIPUR 313003			
						CHD. BY:		PRO STANDARD JB		DRAWING No. 00			
						APP. BY:		DIRECT PRODUCTION		TITLE:- G.A. DRAWING OF STANDARD MS JUNCTION BOX			
						DATE:	30.08.2016	SCALE: NTS		PRODUCT PART No.-080MS11 - 080MS22			
										CUSTOMER:-			
										SHEET 01 OF 01 REV.			

